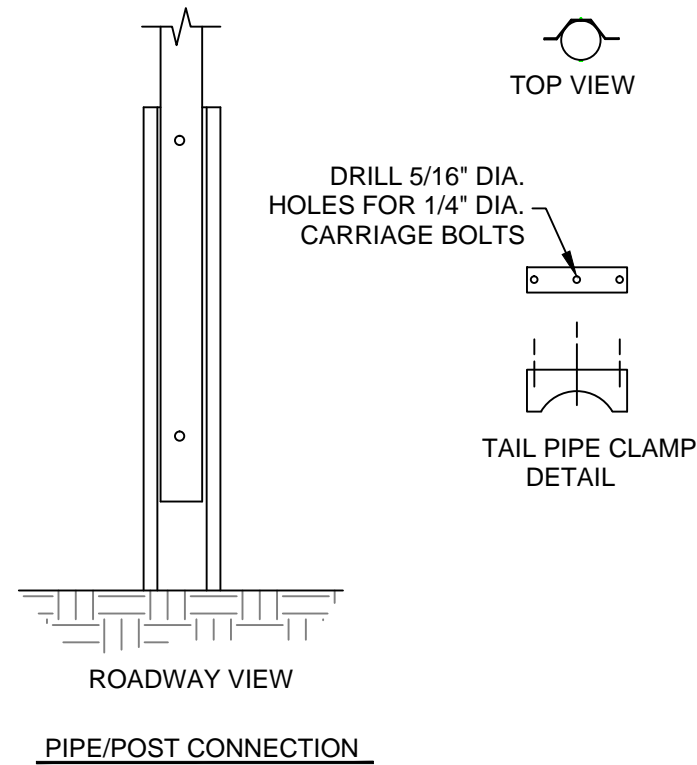


# CONFORMING MAILBOX SUPPORT REQUIREMENTS AND INSTALLATION - EXHIBIT B

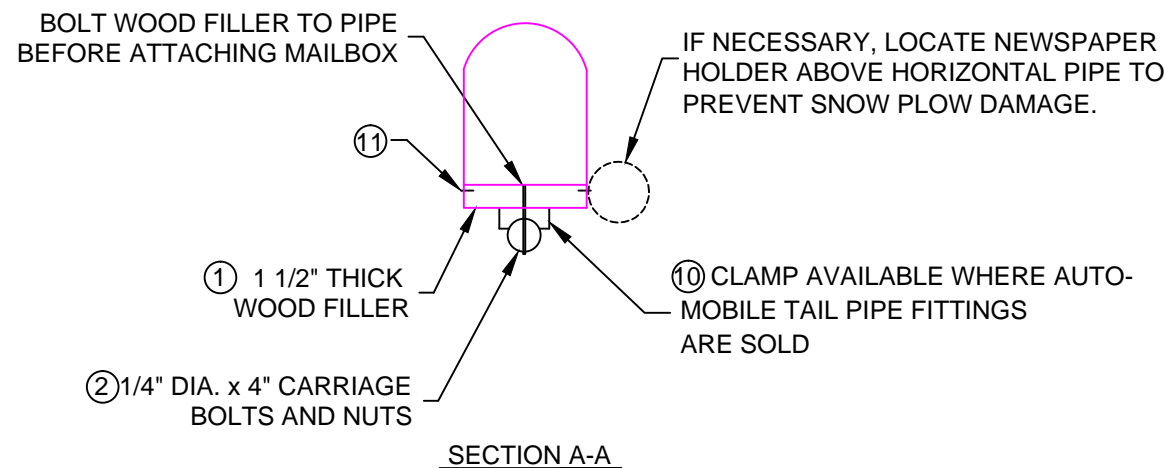
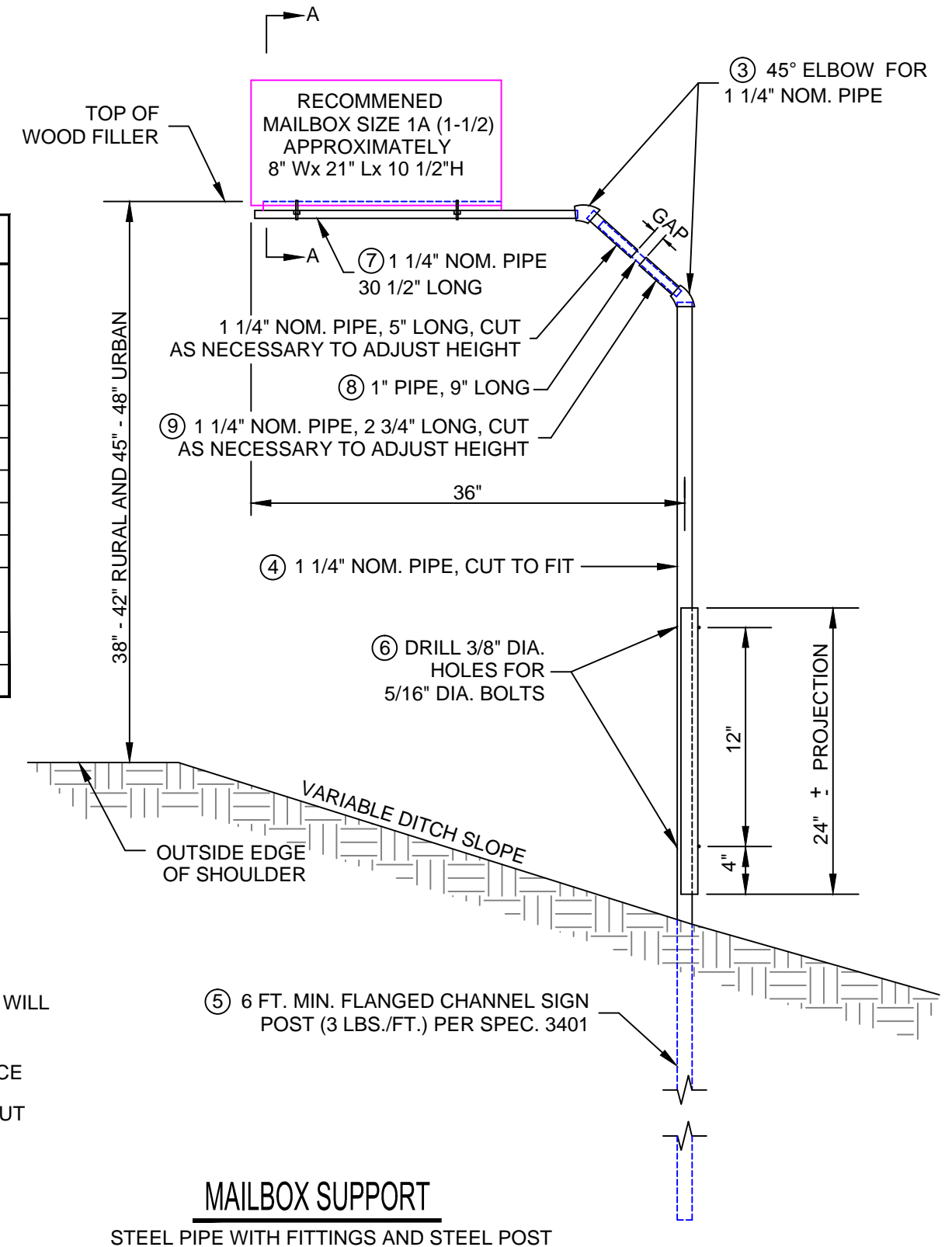


**NOTES:**  
 MAILBOX LOCATION SHOULD BE STAKED BEFORE INSTALLATION FOR PROPER HEIGHT AND DISTANCE FROM THE ROADWAY. ONCE STAKED THE INSTALLER MUST NOTIFY THE ENGINEER AND THE POST OFFICE. THE ENGINEER AND POSTMASTER/MAIL CARRIER WILL BE ALLOWED 48 HOURS TO REVIEW AND MODIFY THE STAKED LOCATIONS PRIOR TO FINAL INSTALLATION.

THE MAILBOX TO BE 8 INCHES TO 12 INCHES OUTSIDE THE EDGE OF SHOULDER OR 6 INCHES FROM FACE OF CURB.  
 NO MORE THAN THREE MAILBOXES SPACED 30' CENTER TO CENTER ARE TO BE USED IN ONE LOCATION.



ITEM NO.	NUMBER REQUIRED	DESCRIPTION
1	1	1 1/2" THICK WOOD FILLER CUT TO FIT SNUG UNDER MAILBOX
2	2	1/4" DIA. x 4" LONG CARRIAGE BOLTS & NUTS
3	2	45° ELBOX FOR 1 1/4" NOM. PIPE
4	1	1 1/4" NOMINAL PIPE, CUT TO FIT
5	1	6 FT. MIN. SIGN POST (3 LBS./FT.)
6	2	5/16" DIA. BOLT, NUT & LOCKWASHER
7	1	1 1/4" NOMINAL PIPE, 30 1/2" LONG
8	1	1" PIPE, 9 INCHES LONG
9	1	1 1/4" NOMINAL PIPE, 5" LONG
	1	1 1/4" NOMINAL PIPE, 2 3/4" LONG
10	2	1 1/2" TAIL PIPE CLAMP
11	9	NO. 10 x 1" SHEET METAL SCREWS



- ① POSTAL SERVICE REGULATIONS WILL DETERMINE THE HEIGHT.
- ② FOR RURAL LOCATIONS, THE FACE OF THE BOX SHALL BE 8" TO 12" FROM THE EDGE OF THE TURNOUT OR USABLE SHOULDER.

## MAILBOX SUPPORT

STEEL PIPE WITH FITTINGS AND STEEL POST